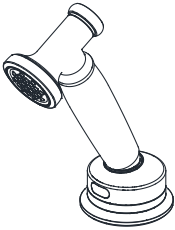


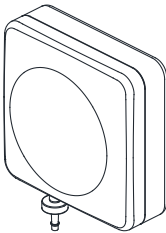
# Installation & User Guide

---

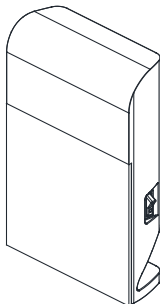
## Ozone Spray System



= SKSG01(Chrome)  
= SKSG02(Copper)  
= SKSG03(Brushed Nickel)  
= SKSG04(Matte Black)



= OH6800\_X



= OH6800\_C Commercial


---

# Table of Contents

Safety Information.....	2	Product Installation .....	6-13
Warranty.....	2	Troubleshooting .....	14
Pre-Installation.....	2	Service/Replacing Parts .....	15
Package Contents .....	3-4		
Complete System Installation Diagram .....	5		

# Safety Information

Please read and understand this entire manual before attempting to assemble, operate, or install the product.

	<p><b>CAUTION:</b> Always turn off the water supply before removing an existing faucet or replacing any part of a faucet. Open the faucet handle to relieve water pressure and ensure that the water is completely shut off.</p>
---	--

# Warranty

Ozone Sprayer Functional	3yrs
Ozone Sprayer Finish	3yrs
Ozone Generator Functional	2yrs

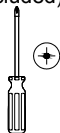
# Pre-Installation

Before beginning the installation of this product, ensure all parts are present. Compare parts with the Package Contents section. If any part is missing or damaged, do not attempt to install the product.

Tools and hardware required (not included)



Safety Goggles



Phillips Screwdriver



Flashlight



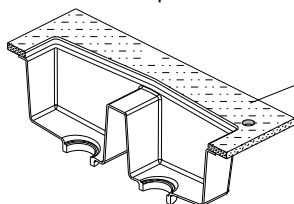
2 pcs CR1632  
Button batteries



Bucket

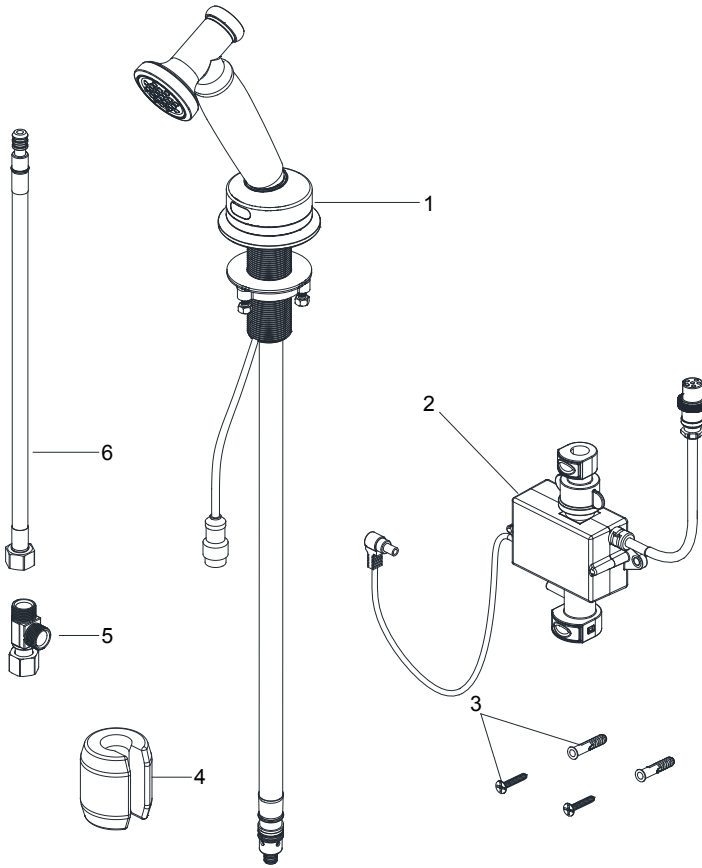
\*Verify that the water pressure is greater than 20psi (1.5bar).

\*Verify that the hole size in the counter top is correct



Recommended Installation Hole  
28mm Diameter

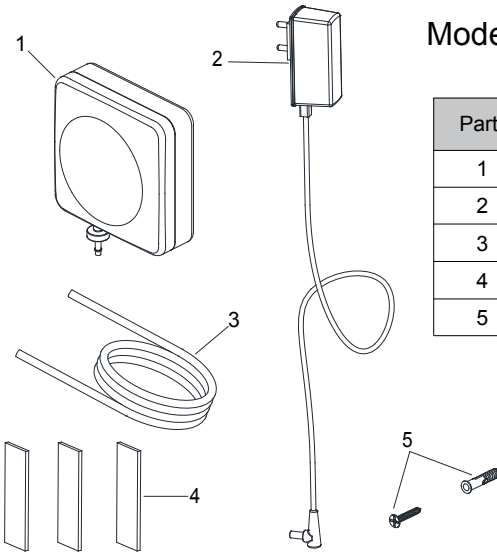
# Ozone Sprayer Package Contents



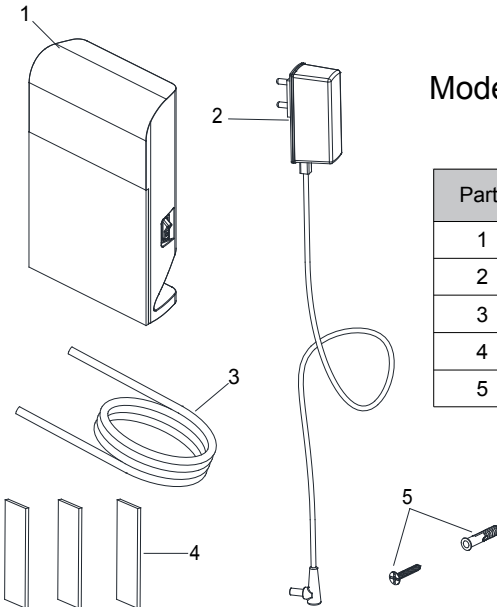
Part	Description	Qty.
1	Ozone Sprayer Main Body	1
2	Control Box Assembly	1
3	Control Box Mounting Kit	1
4	Hose Counter Weight	1
5	T-Piece	1
6	Inlet Hose	1

# Ozone generator Package Contents

Model: OH6800\_X



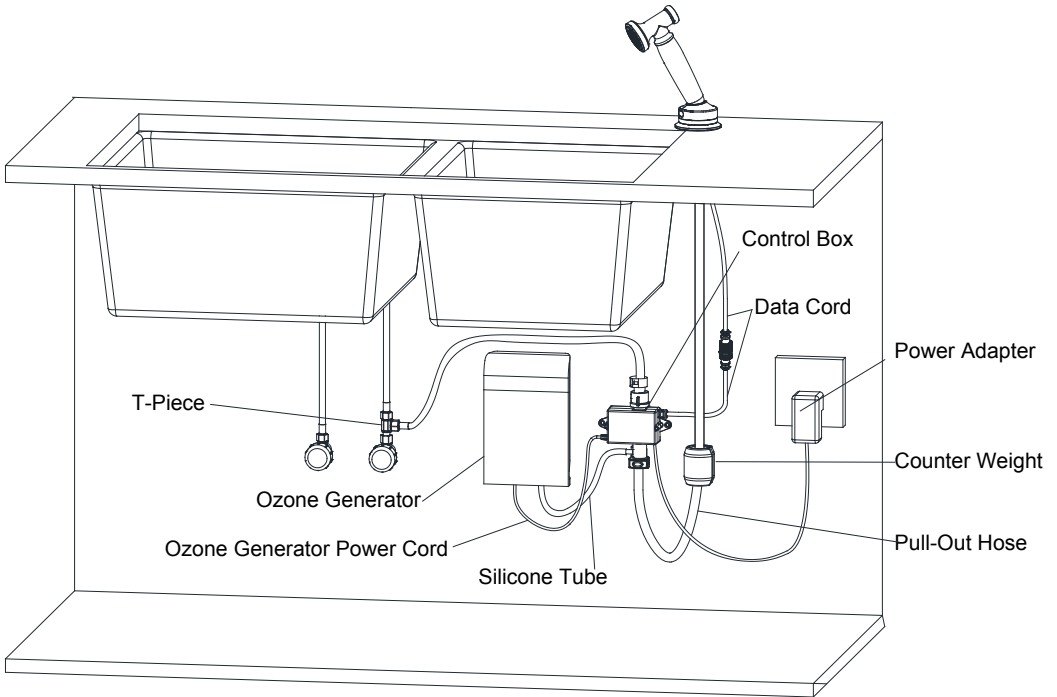
Part	Description	Qty.
1	Ozone Generator Main Body	1
2	12V DC Power Adapter	1
3	Silicone Tube	1
4	Self-adhesive Tape	1
5	Moungting Kit	1



Model: OH6800\_C Commercial

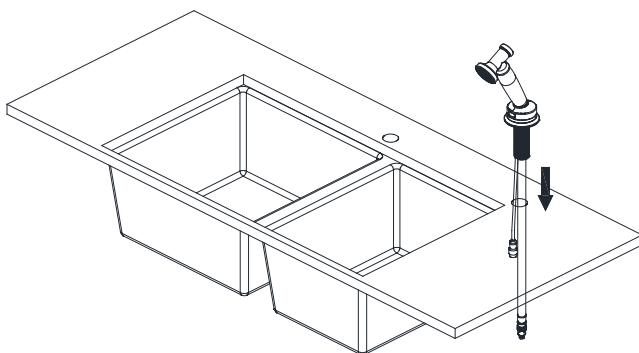
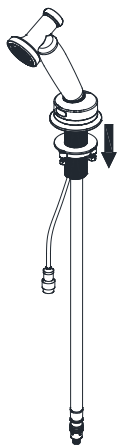
Part	Description	Qty.
1	Ozone Generator Main Body	1
2	12V DC Power Adapter	1
3	Silicone Tube	1
4	Self-adhesive Tape	1
5	Moungting Kit	1

# Complete System Installation Diagram



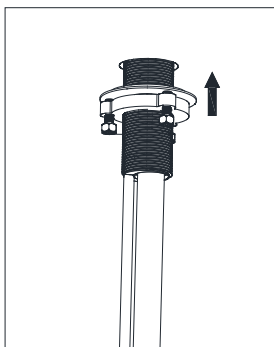
# Product Installation

## 1 Install the Sprayer Main Body



- Remove the rubber washer, metal washer and the mounting kit.

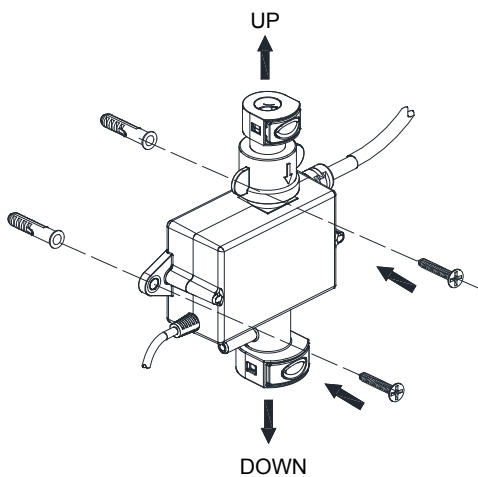
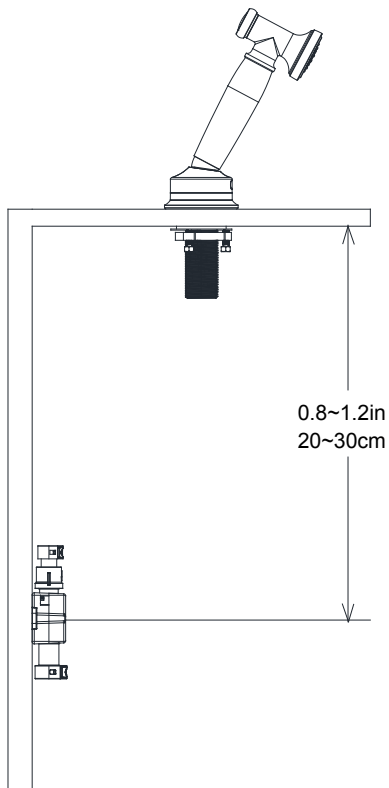
- Install the sprayer into the sink hole. Adjusting the sprayer outlet in appropriate direction.



- Install the mounting kit.

# Product Installation

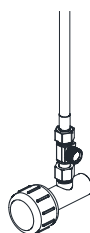
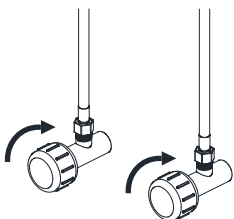
## 2 Install the Control Box



- Before install, follow the recommended location of control box as above image.
- Install the control box on the wall as recommended location.

# Product Installation

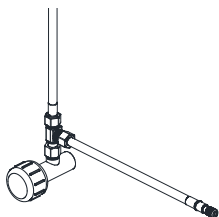
## 3 Install the Water Way



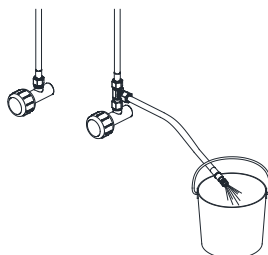
- Shut off the water supply.

- Remove the COLD inlet hose of the faucet.

- Install the T-piece, and install the cold inlet hose on the T-piece.



- Install the sprayer inlet hose on the T-piece.

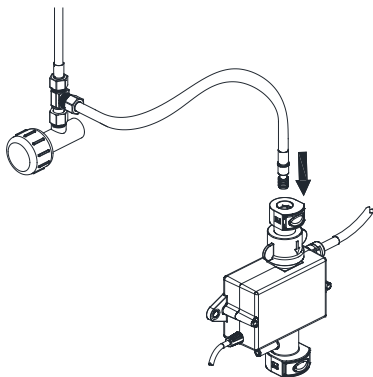


- Open the water supply, flush for 1minute, you may use a bucket to keep the water. Then closed the water supply.

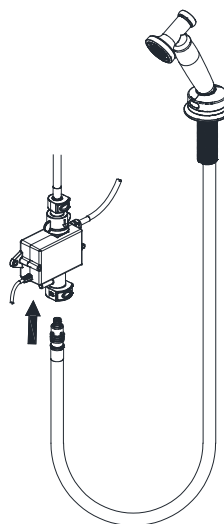


# Product Installation

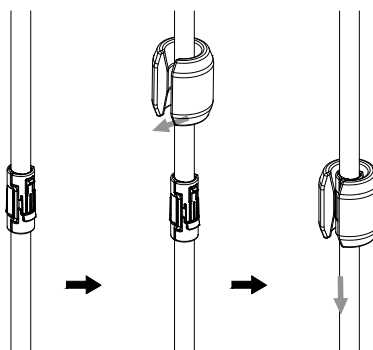
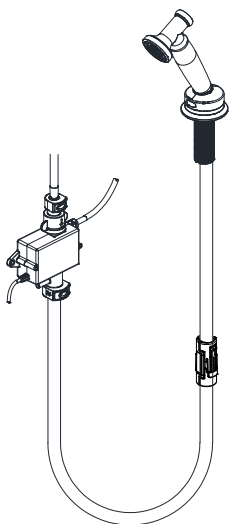
## 4 Install the Hose and counter Weight



- Push the inlet hose pipe into the quick connector into the control box.



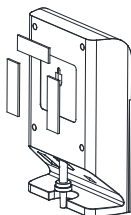
- Push the pull-out hose pipe into the quick connector into the control box.



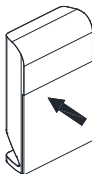
- Install the counter weight, refer to the above images.

# Product Installation

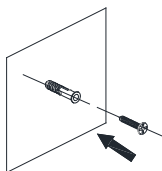
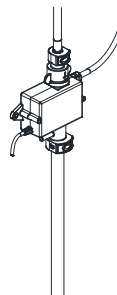
## 5 Install the Ozone Generator



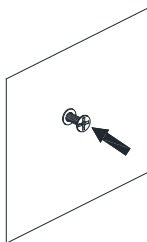
- Stick the self-adhesive on the back of the ozone generator



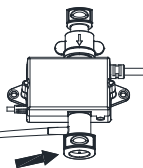
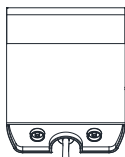
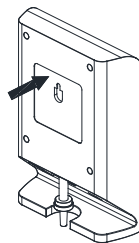
- Stick the self-adhesive on the back of the ozone generator



- Install the tapping screw



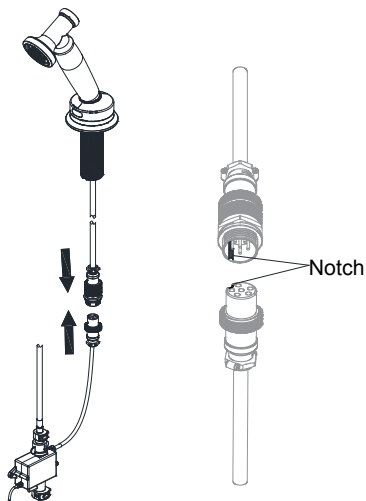
- Hang the ozone generator on the screws through the hole in the back.



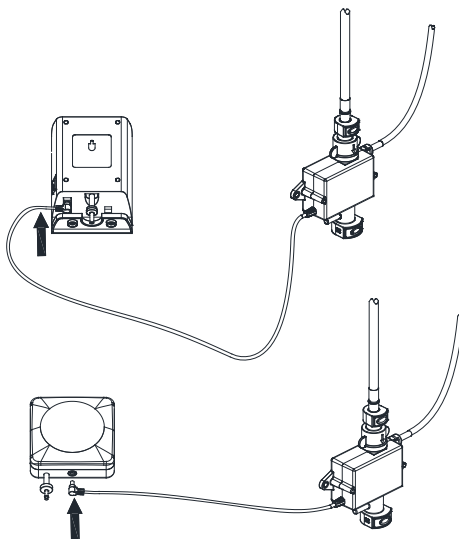
- After installation, connect the ozone generator and the control box with silicone tube.

# Product Installation

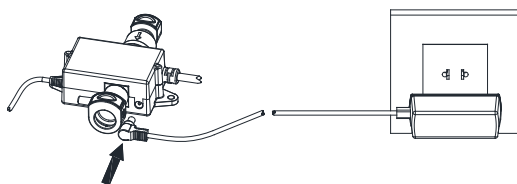
## 6 Connect the Data line



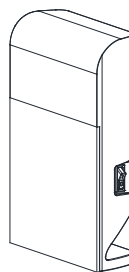
- Connect the data line between the sprayer and the control box. Note the direction of the notch. Then tighten the nut.



- Connect the 12V DC cord from the control box to the ozone generator.



- Plug the DC plug of the adapter into the control box. Then plug the adapter into the socket.

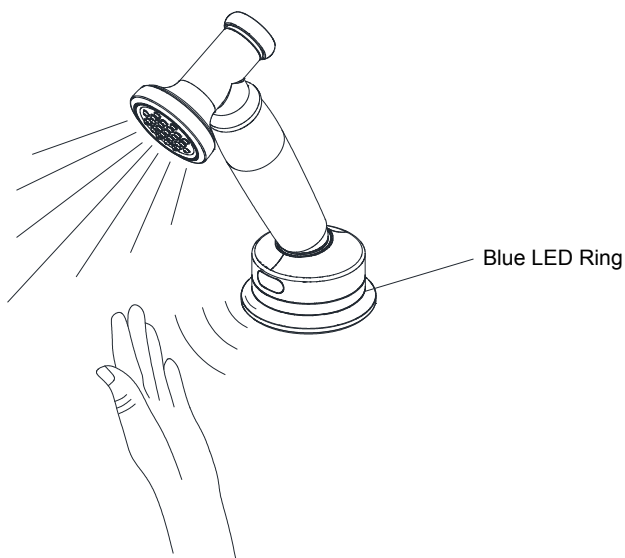


- Check the switch of the ozone generator (only for OH6800\_C Commercial) and make sure it is in the "I" position.

## Product Installation

### 7 Check for leakage and function

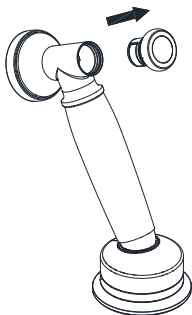
- After installation, check the quick connect of the hose is firmly connected.
- Check the data line and DC plug are firmly connected.
- Open the water supply and check for leakage.
- Open the sprayer through the sensor by hand. Check for leaks, confirm whether the blue LED will be on.  
Note: When the blue LED is on, it indicates that the ozone generator is working normally.



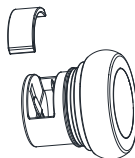
## Product Installation

# 8

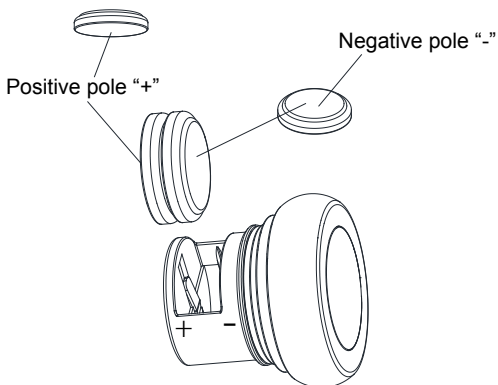
### Install the button battery of button control assembly



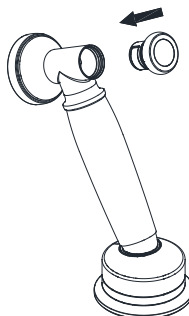
- Pull the button control assembly



- Remove the battery cap.



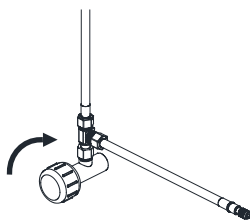
- Install two batteries.  
Note the direction of the positive and negative poles of the battery. **The negative pole of the two batteries faces the button.**



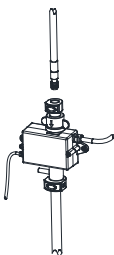
- After install the batteries, press the control button, check whether the sprayer works.  
Pull the assembly into the sprayer.

# Troubleshooting

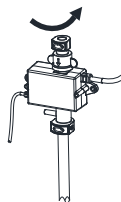
<b>PROBLEM</b>	<b>POSSIBLE CAUSE</b>	<b>WHAT TO DO</b>
When using the button control, the LED flashes continuously for 10 seconds	The voltage of the battery is insufficient. Replace the battery. The battery can be used for more than 1 year.	It is recommended to replace the battery every 1 year.
Product does not work through sensor control	Water supply is closed	Open the water supply
	The power adapter is not plugged in properly, or the DC plug from the power adapter to the control box is not plugged in properly	Check that all plugs are in place
The sprayer can work normally, but the LED light is not on	The ozone generator is not connected to the power supply	Check that all plugs are in place
	The silicone tube is bent and the air flow cannot pass through	Arrange the silicone hose to ensure smoothness
	After using for a period of time, the sprayer flow becomes lower and the ozone generator does not work	See the following picture to clean the impurities on the filter screen washer



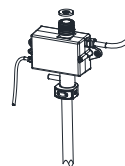
- Shut off the water supply.



- Press the button and take out the water inlet hose



- Unscrew the nut



- Take out the filter screen washer and clean it. Then reinstall this part.